

	Project Loft Example	Project ref
	Calcs for	Date

Steel Beam Design - Steel Beam 2

To Eurocode BS EN 1993-1-1/NA:2008

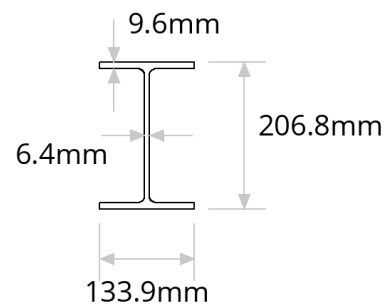
* You can add your own text, diagrams and photos here *

Design summary

	Resistance / Limit	Applied / Actual	Utilisation	
Shear	231 kN	27.4 kN	12 %	OK
Bending moment	86.4 kNm	34.2 kNm	40 %	OK
Buckling	50.3 kNm	34.2 kNm	68 %	OK
Total deflection	25 mm	10.3 mm	41 %	OK
Deflection due to variable actions	13.9 mm	4.8 mm	34 %	OK

Section details

Type	Universal beam
Section	203 x 133 x 30 UB
Steel grade	S275
Width	b = 134 mm
Depth	h = 207 mm
Web thickness	t _w = 6.4 mm
Flange thickness	t _f = 9.6 mm
Root radius	r = 7.6 mm
Mass per metre	w = 30 kg/m



Span and restraints

Effective span	L = 5,000 mm
Buckling length	L _{cr} = 5,000 mm

Deflection limits

Variable action deflection limit	$\Delta_Q = L / 360 = \mathbf{13.9 mm}$
Total deflection limit	$\Delta_{G+Q} = L / 200 = \mathbf{25 mm}$

Safety factors

Partial factor for permanent actions	$\gamma_G = \mathbf{1.35}$
Partial factor for variable actions	$\gamma_Q = \mathbf{1.5}$

	Project Loft Example	Project ref
	Calcs for	Date

Loading details



Self weight

Permanent action

$$SW = w \times 9.81 / 1000 = \mathbf{0.294 \text{ kN/m}}$$



Load 1: UDL - Sloping roof, 30° to 45°

Permanent action

$$G_1 = \mathbf{1.41 \text{ kN/m}^2} \times \mathbf{1.9 \text{ m}} = \mathbf{2.68 \text{ kN/m}}$$

Variable action

$$Q_1 = \mathbf{0.75 \text{ kN/m}^2} \times \mathbf{1.9 \text{ m}} = \mathbf{1.42 \text{ kN/m}}$$



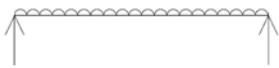
Load 2: UDL - Timber floor (domestic dwelling)

Permanent action

$$G_2 = \mathbf{0.6 \text{ kN/m}^2} \times \mathbf{1.33 \text{ m}} = \mathbf{0.798 \text{ kN/m}}$$

Variable action

$$Q_2 = \mathbf{1.5 \text{ kN/m}^2} \times \mathbf{1.33 \text{ m}} = \mathbf{2 \text{ kN/m}}$$



Load 3: UDL - Ceiling beneath sloping roof

Permanent action

$$G_3 = \mathbf{0.3 \text{ kN/m}^2} \times \mathbf{0.55 \text{ m}} = \mathbf{0.165 \text{ kN/m}}$$

Variable action

$$Q_3 = \mathbf{0.25 \text{ kN/m}^2} \times \mathbf{0.55 \text{ m}} = \mathbf{0.138 \text{ kN/m}}$$



Load 4: UDL - Timber Stud Wall + 2 Sheets of Plasterboard

Permanent action

$$G_4 = \mathbf{0.5 \text{ kN/m}^2} \times \mathbf{0.45 \text{ m}} = \mathbf{0.225 \text{ kN/m}}$$

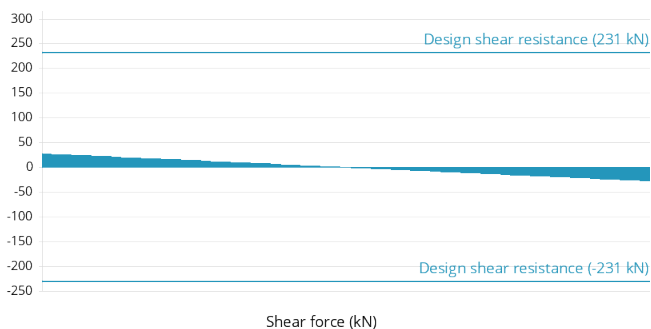
Variable action

$$Q_4 = \mathbf{0 \text{ kN/m}^2} \times \mathbf{0.45 \text{ m}} = \mathbf{0 \text{ kN/m}}$$

Reactions

	Permanent (unfactored)	Variable (unfactored)	Total (unfactored)	Total (factored)
Left reaction	10.4 kN	8.89 kN	19.3 kN	27.4 kN
Right reaction	10.4 kN	8.89 kN	19.3 kN	27.4 kN

Design shear force



Design shear force

$$V_{Ed} = \mathbf{27.4 \text{ kN}}$$

Design shear resistance

$$V_{c,Rd} = \mathbf{231 \text{ kN}}$$

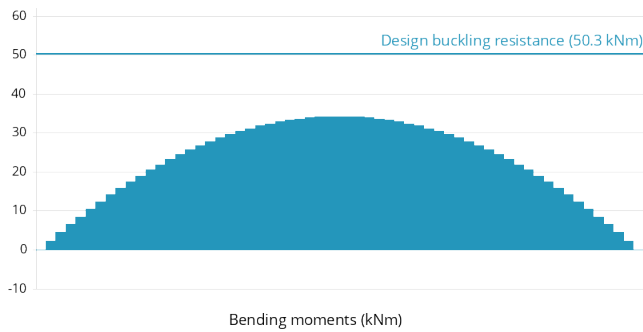
Utilisation

$$V_{Ed} / V_{c,Rd} = \mathbf{12 \%}$$

OK

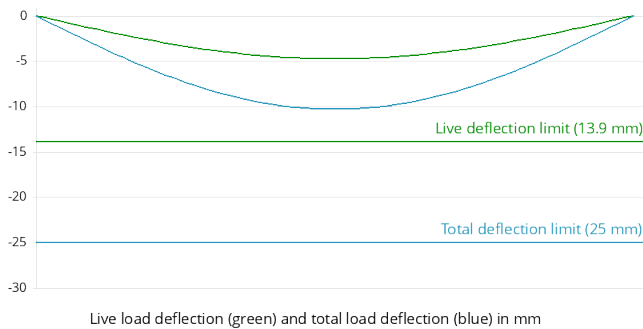
	Project Loft Example	Project ref
	Calcs for	Date

Design bending moment



Design bending moment, major axis	$M_{Ed} = 34.2$ kNm
Design resistance for bending	$M_{c,Rd} = 86.4$ kNm
Bending utilisation	$M_{Ed} / M_{c,Rd} = 40$ % OK
Design resistance for buckling	$M_{b,Rd} = 50.3$ kNm
Buckling utilisation	$M_{Ed} / M_{b,Rd} = 68$ % OK

Deflection



Variable action deflection limit	$\Delta_Q = 13.9$ mm
Variable action deflection	$\delta_Q = 4.8$ mm OK
Total deflection limit	$\Delta_{G+Q} = 25$ mm
Total deflection	$\delta_{G+Q} = 10.3$ mm OK

Section properties

Elastic modulus - major axis, yy	$W_{el} = 280$ cm ³
Plastic modulus - major axis, yy	$W_{pl} = 314$ cm ³
Second moment of area - major axis, yy	$I_y = 2,900$ cm ⁴
Second moment of area - minor axis, zz	$I_z = 385$ cm ⁴
Warping constant	$I_w = 0.0374$ dm ⁶
Torsional constant	$I_t = 10.3$ cm ⁴
Area of section	$A = 3,820$ mm ²

Factors and design values of material coefficients (EN 1993-1-1:2005 and National Annex)

Young's modulus of elasticity	$E = 210,000$ N/mm ²	cl.3.2.6
Poisson's ratio in elastic stage	$\nu = 0.3$	cl.3.2.6
Shear modulus	$G_s = 81,000$ N/mm ²	cl.3.2.6
Partial factor for resistance of cross-sections	$\gamma_{M0} = 1$	cl.6.1(1)B / BS-EN NA
Partial factor for resistance to instability	$\gamma_{M1} = 1$	cl.6.1(1)B / BS-EN NA
Factor for shear area	$\eta = 1$	EN 1993-1-5:2006 cl.5.1(2) / BS-EN NA
Limiting non dimensional slenderness ratio	$\bar{\lambda}_{LT,0} = 0.4$	cl.6.3.2.3(1) / BS-EN NA
Beta factor for buckling reduction factor calculation	$\beta = 0.75$	cl.6.3.2.3(1) / BS-EN NA

Yield strength

	Project Loft Example	Project ref
	Calcs for	Date

Nominal yield strength for S275 grade and nominal section thickness 9.60 mm

$$f_y = 275 \text{ N/mm}^2$$

Tata blue book

Section classification (EN 1993-1-1:2005 cl.5.5)

Epsilon	$\epsilon = 0.924$	EN 1993-1-1:2005 Table 5.2
Flange ratio for local buckling	$c_f / t_f = 5.85$	
Flange ratio limit for class 1	$9 \epsilon = 8.32$	Table 5.2 (sheet 2 of 3)
Flange class	Class _f = 1	
Web ratio for local buckling	$c_w / t_w = 26.9$	
Web ratio limit for class 1	$72 \epsilon = 66.6$	Table 5.2 (sheet 1 of 3)
Web class	Class _w = 1	
Section class	Class = 1	

Shear resistance (EN 1993-1-1:2005 cl.6.2.6)

Height of web	$h_w = 188 \text{ mm}$	
Shear area for I and H sections	$A_v = 1,460 \text{ mm}^2$	cl.6.2.6 (3)
Design shear resistance	$V_{pl,Rd} = 231 \text{ kN}$	eq (6.18)

Shear buckling (EN 1993-1-5:2006 cl.5)

The shear buckling resistance for webs should be verified according to Section 5 of EN 1993-1-5 if $(h_w / t_w) > (72 \epsilon / \eta)$

Web ratio for shear buckling	$h_w / t_w = 29.3$	EN 1993-1-5:2006 cl.5.1 (2)
Shear buckling limit	$72 \epsilon / \eta = 66.6$	EN 1993-1-5:2006 cl.5.1 (2)
$(h_w / t_w) \leq (72 \epsilon / \eta)$ therefore shear buckling calculation not required		

Bending resistance (EN 1993-1-1:2005 cl.6.2.5)

The shear force (27 kN) is less than half of the plastic shear resistance (231 kN / 2 = 116 kN), therefore its effect on moment resistance may be neglected.

Class 1 section, therefore use plastic modulus	$W_{pl} = 314,000 \text{ mm}^3$	
Design bending resistance	$M_{c,Rd} = 86.4 \text{ kNm}$	eq (6.13)

Design buckling resistance (EN 1993-1-1:2005 cl.6.3.2)

C1 factor	C1 = 1	
Shear modulus of elasticity	$G_s = 81,000 \text{ N/mm}^2$	cl.3.2.6 (1)
Buckling length	$L_{cr} = 5,000 \text{ mm}$	
Critical buckling moment	$M_{CR} = 60.4 \text{ kNm}$	NCCI SN003b-EN-EU
Class 1 section, therefore use plastic modulus	$W_{pl} = 314,000 \text{ mm}^3$	cl.6.3.2.1(3)
Non-dimensional slenderness ratio	$\bar{\lambda}_{LT} = 1.2$	cl.6.3.2.2 (1)
Depth to width ratio for buckling curve	$h / b = 1.54$	
Buckling curve for h / b ratio	Buckling curve = b	Table 6.5 / BS-EN NA
Imperfection factor for buckling curve b	$\alpha_{LT} = 0.34$	Table 6.3 / BS-EN NA
Intermediate factor for reduction factor calculation	$\phi_{LT} = 1.17$	cl.6.3.2.3 (1)
Buckling reduction factor	$\chi_{LT} = 0.582$	eq (6.57)
Correction factor for moment distribution	$k_c = 1$	Table 6.6
Moment distribution modification factor	$f = 1$	cl.6.3.2.3 (2)
Modified buckling reduction factor	$\chi_{LT,mod} = 0.582$	eq (6.58)
Design buckling resistance	$M_{b,Rd} = 50.3 \text{ kNm}$	eq (6.55)

	Project Loft Example	Project ref
	Calcs for	Date

Notes

C1 value conservatively taken as 1.0

Ends of beam are to be laterally restrained. Ends of beams can be laterally restrained using one of the following methods;

- 1) End of beam built into masonry wall.
- 2) End of beam fixed to a masonry wall.
- 3) End of beam fixed to a column or a beam.

The designer is to ensure that the proposed detail adequately ensures that the end of the beam is laterally restrained.

No allowance has been made for destabilising loads which are outside the scope of these calculations (Destabilising loads would not normally occur in a traditional masonry structure)