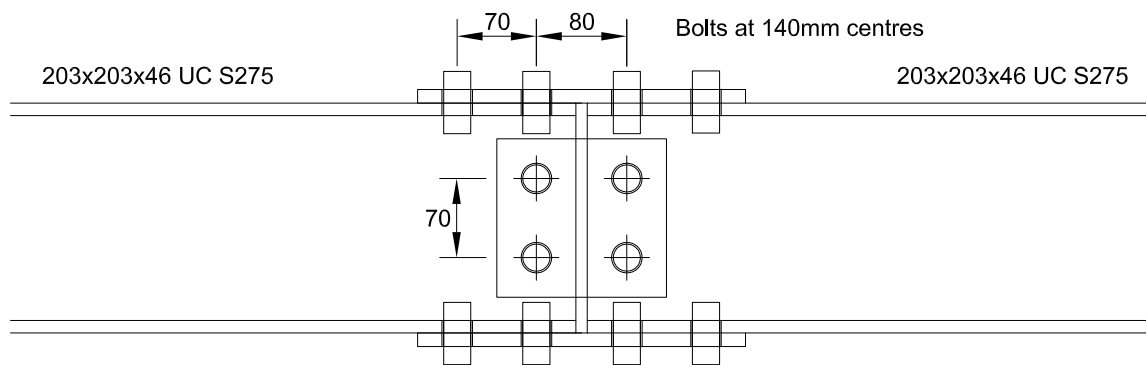


## Splice Connection Detail 203x203x46 UC

maximum factored bending moment = 60 kNm  
maximum factored shear = 30 kN



M24 HR8.8 Preload bolts (HSFG Type) throughout

210x290x12mm S275 steel flange plates

150x140x8mm S275 steel web plates both sides of web

Flange Bolts Shear Resistance

$$0.7 \times 800 \times 353 \times 0.45/1.25 \times 4/10^3 = 285 \text{ kN}$$

$$60 \times 10^3 / (203.2 + 12) = 279 \text{ kN} < 285 \text{ kN} \text{ therefore OK}$$

Web Bolts Shear Resistance

$$0.7 \times 800 \times 353 \times 0.45/1.25 \times 2/10^3 = 142.3 \text{ kN}$$

$$30 \text{ kN} < 142.3 \text{ kN} \text{ therefore OK}$$